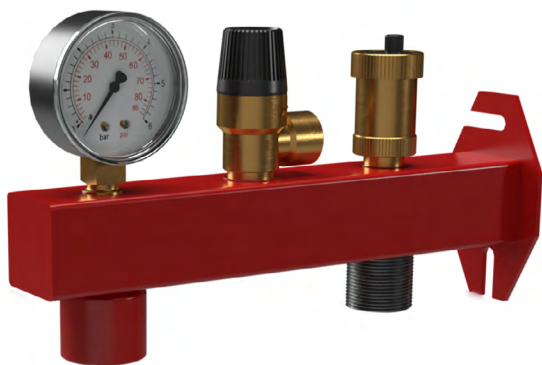


Overflow vessel for central heating installations



Technical data:

Material:

Steel

Construction:

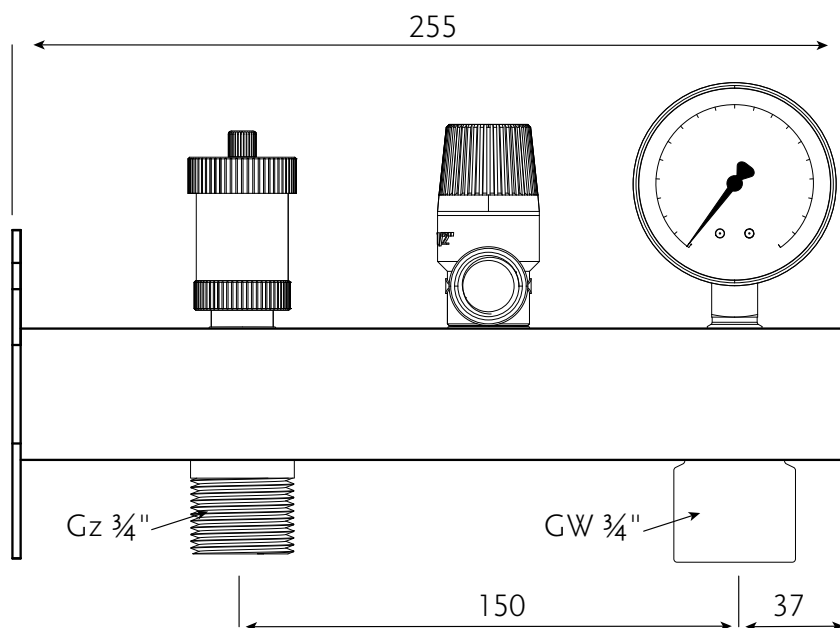
Profile 40 x 40

Intended use:

Connection of the expansion vessel in central installations in a closed circuit.

Work temperature: up to 95°C

Work pressure: up to 0,3 MPa



TYPE	DESCRIPTION	INDEKS
ZNWS	Set with accessories and a stop screw connection	1023151110
ZNW	Set with accessories	1023151114

SET CONTAINS

ZNWS	Manometer Safety valve Automatic air vent Stop screw connection
ZNW	Manometer Safety valve Automatic air vent

GORGIEL GROUP

Spółka z ograniczoną odpowiedzialnością Sp.k.
Karpicko, ul. Poznańska 10 64-200 Wolsztyn | tel. +48 68 347 54 00, fax. +48 68 347 54 50 | gorgiel@gorgiel.pl
NIP: 923-171-38-39 | REGON: 367883417 | KRS 0000723720