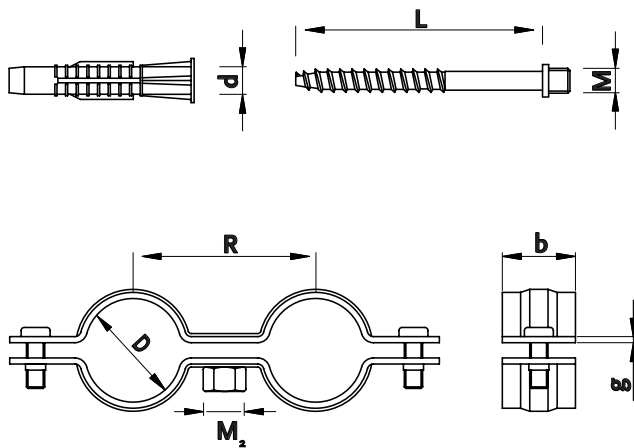


STEEL CLAMP | USZ II

Double steel clamp

Material:	Steel DC03
Anti-corrosion protection:	Galvanized steel
Recommended use:	For fixing instalations inside buildings



Type	Clamp						MAX. breaking load [kN]	Packing pcs	Indeks			
	pipe diameter-D [mm]	[cale]	M ₂	b1 x g	R	M				L	d	l
USZ II 15	15	½"	M8	20 x 1,5	50	M8	65	10	60	2,4	50	1031216020
USZ II 20	20	¾"	M8	20 x 1,5	57	M8	65	10	60	2,4	50	1031216030
USZ II 25	25	1"	M8	20 x 1,5	61	M8	65	10	60	2,4	50	1031216040