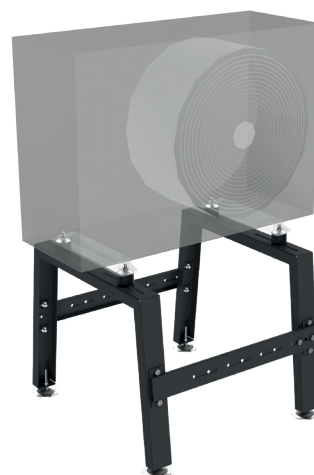


# STAND FOR HEAT PUMPS, AIR CONDITIONERS

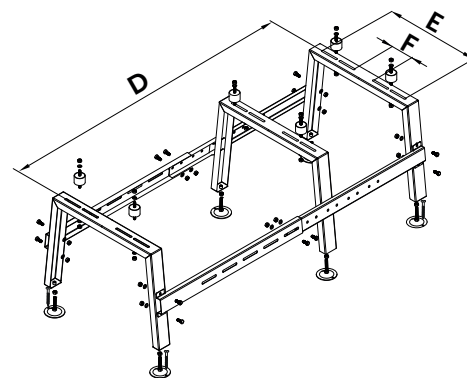
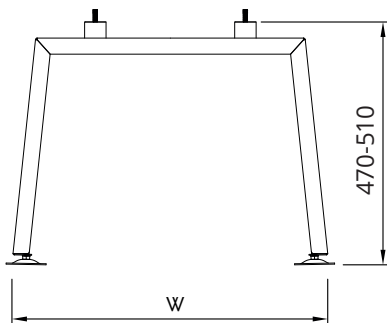
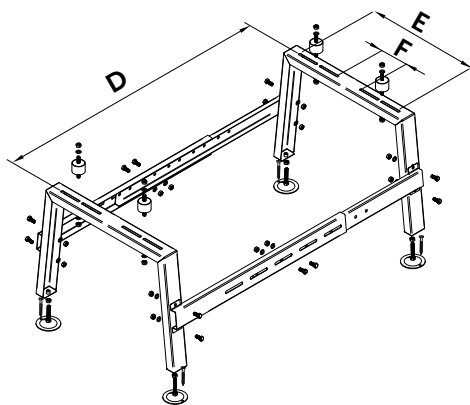
- Safe steel construction
- Galvanized steel elements
- Additional anti-corrosion protection
  - ◇ Degreasing
  - ◇ Passivation
  - ◇ Powder painting
- Wide range of adjustments
- Easy assembly
- Pin and screw included



MPC P2.



MPC P3.



TYPE	Width	Height	Mounting spacing			Lifting capacity	INDEX
	W [mm]	H [mm]	D [mm]	E [mm]	F [mm]	[kg]	
MPC P2	585	470 - 510	480 - 910	420	100	180	1023101011P224
MPC P2.5	685	470 - 510	480 - 910	520	190	180	1023101012P224
MPC P3	585	470 - 510	680 - 1300	420	100	300	1023101011P324
MPC P3.5	685	470 - 510	680 - 1300	520	190	300	1023101012P324