
**Technical data:**

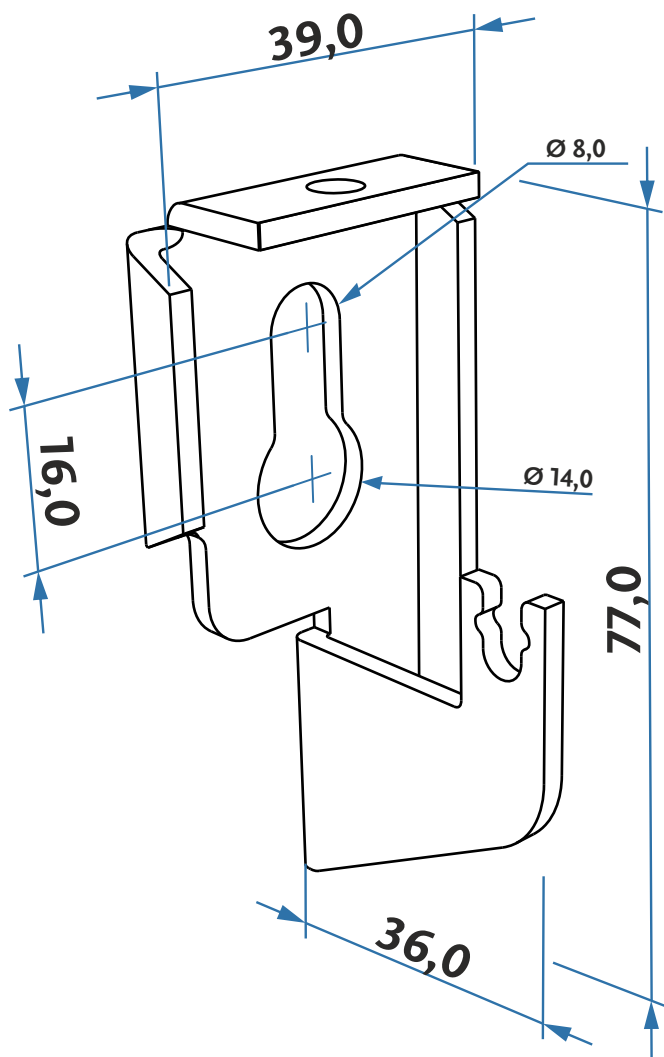
**Material:**  
steel type DC03

**Anti corrosion protection:**  
Zinc palting

**Purpose:**  
set for fixing panel radiators to the wall  
in distance from the wall 31,5 mm


**SET CONTAINS**

- brackets depending to the type 2 or 3 pieces  
 1 - bolt 8 x 70  
 2 - expansion pin for full wall  
 3 - regulator  
 4 - damper  
 5 - bracket D - 111  
 6 - plug and air vent ½"  
 depending on type set



Type	Description	pieces in set	INDEKS
D-111 x 2 KO	WITH PLUG AND AIR VENT	2	1021120415
D-111 x 3 KO	WITHOUT PLUG AND AIR VENT	3	1021120420