

**Gorgiel** ... in warm atmosphere



# ZBG

## Buffer tank

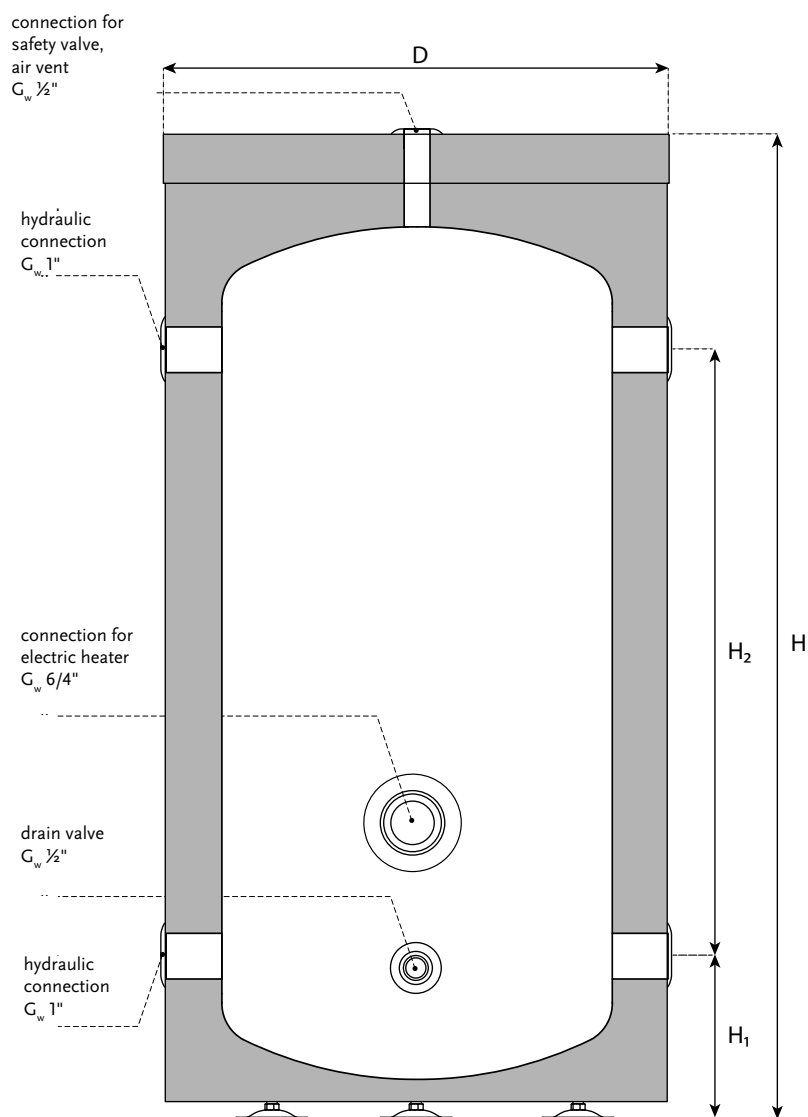
TECHNICAL SHEET

	ZBG 100	ZBG 140
Indeks	B023000105	B023000140
Performance class	B	B
Capacity	l 105	136
Work pressure	bar (MPa) 3 (0,3)	3 (0,3)
Work temperature	°C 6-95°C	6-95°C
<b>Dimensions</b>		
H	mm 1000	1290
H <sub>1</sub>	mm 180-190	180-190
H <sub>2</sub>	mm 630	900
D - DIAMETER	mm 525	525
Weight (empty)	kg 45	53

## KEY FEATURES

- Free-standing tank
- PUR foam insulation
- Ensures high efficiency of the heating system,
- Especially for installations with more than one heat source.
- Eliminates the risk of wasting energy and ensures great convenience of using the heating system.
- The buffer tank makes the entire heating system work much more efficiently and effectively.
- The presence of buffer tanks makes the entire heating system work much more efficiently and effectively.

## Diagram



**Gorgiel** ... w ciepłej atmosferze

**GORGIEL GROUP Sp. zo.o. Sp.k.**

Karpicko, 64-200 Wolsztyn  
ul. Poznańska 10

tel. +48 68 347 54 00  
fax + 48 68 347 54 50  
gorgiel@gorgiel.com.pl