

Gorgiel ... in warm atmosphere



ZBG

Buffer tank

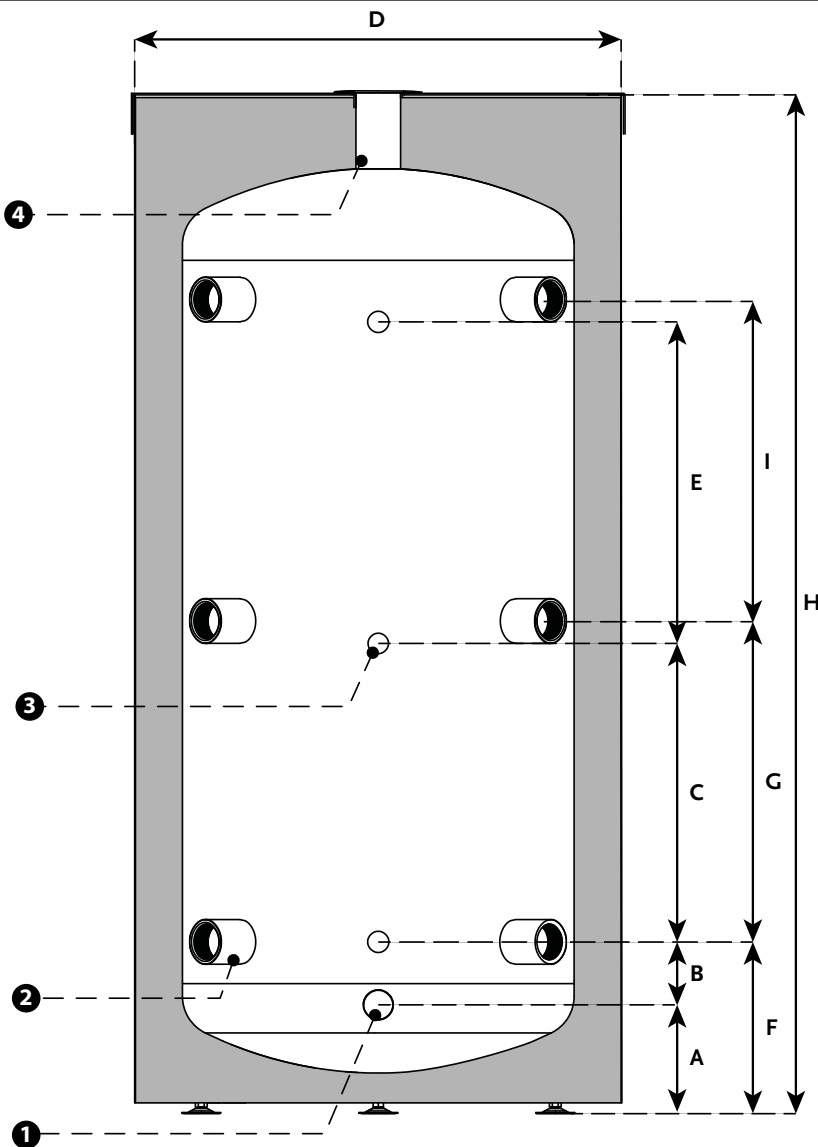
TECHNICAL SHEET

		ZBG 200
Indeks		B023000200
Performance class		B
Capacity	l	205
Work pressure	bar (MPa)	3 (0,3)
Work temperature	°C	6-95°C
Dimensions		
A	mm	144
B	mm	85
C	mm	380
D - DIAMETER	mm	620
E	mm	410
F	mm	228
G	mm	405
H	mm	1300
I	mm	410

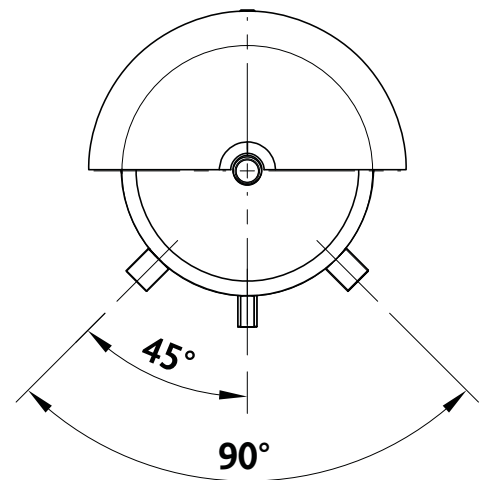
KEY FEATURES

- Free-standing tank
- PUR foam isolation
- Ensures high efficiency of the heating system,
- Especially for installations with more than one heat source.
- Eliminates the risk of wasting energy and ensures great convenience of using the heating system.
- The buffer tank makes the entire heating system work much more efficiently and effectively.
- The presence of buffer tanks makes the entire heating system work much more efficiently and effectively.

Diagram



1	1"	Drain coupling
2	6/4"	Connection sleeve
3	1/2"	Temperature sensor sleeve
4	6/4"	Air vent sensor sleeve



GORGIEL GROUP Sp. zo.o. Sp.k.

Karpicko, 64-200 Wolsztyn
ul. Poznańska 10

tel. +48 68 347 54 00
fax + 48 68 347 54 50
gorgiel@gorgiel.com.pl