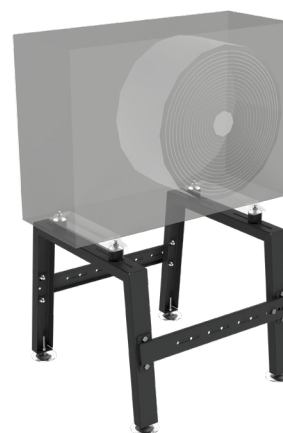


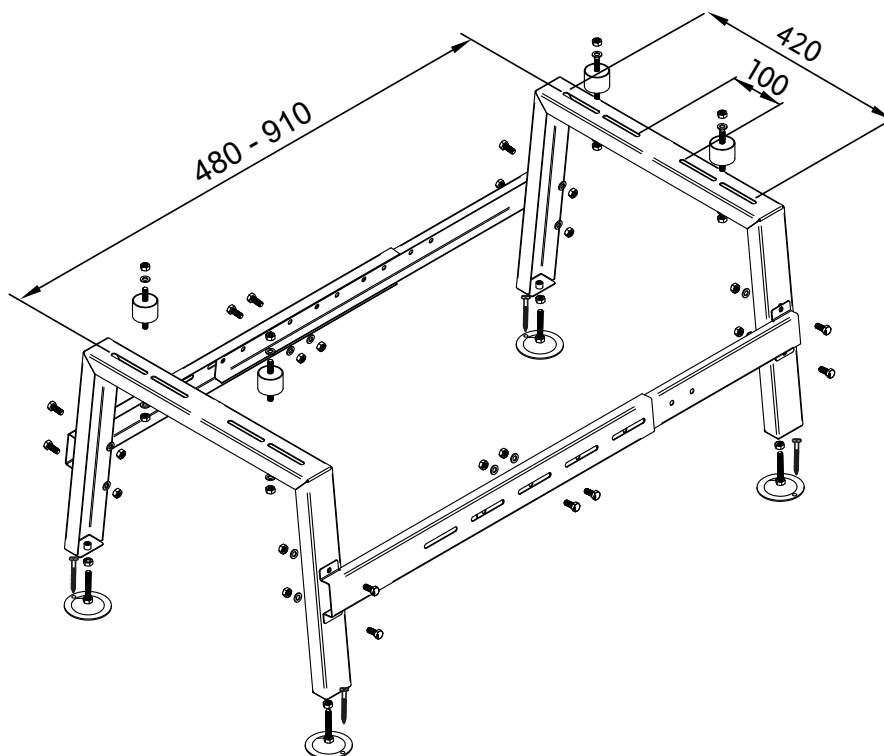
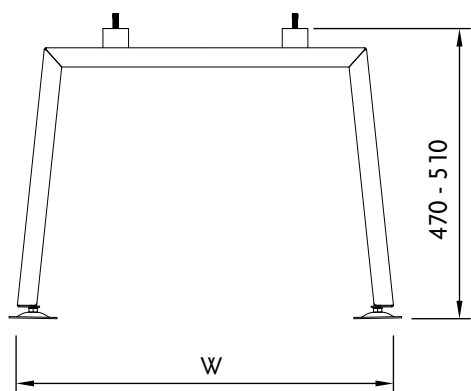
MPC_P2
STAND FOR HEAT PUMPS, AIR CONDITIONERS.

Material:	Galvanized steel sheet
Additional corrosion protection:	Degreasing Passivation Powder painting
Colour :	Black mat [24]
Warranty:	2 years
Purpose:	for the installation of heat pumps and air conditioners



KEY FEATURES:

- Galvanized steel sheet, additionally powder coated
- Easy installation and a solid base for all kinds of heat pumps and air conditioners
- Wide range of adjustments
- Lifting capacity 120 kg
- Additional fixing set pin and screw



Type	W mm	Height [H] mm	D mm	Indeks
MPC_P2	587	470 - 510	480 - 910	1023101011P224