

Rt MM24 | Brass mixing module for R-PT floor heating manifolds



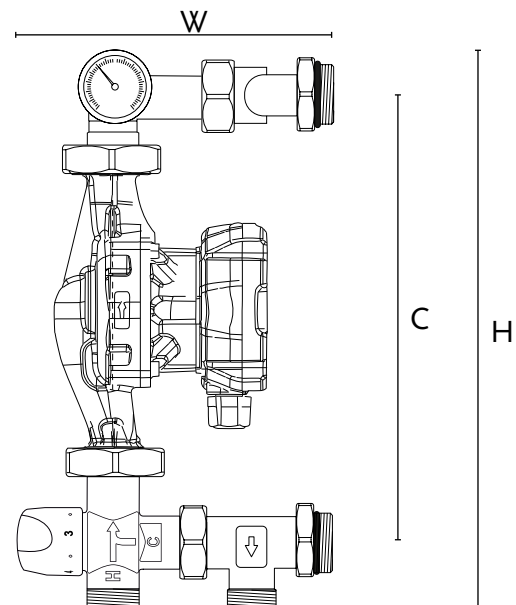
Material:	Brass
Work temperature:	Up to 90°C
Work pressure:	Up to 0,6 MPa
Warranty:	2 years equipment and O-ring seals
Intendet use:	Underfloor heating



1. Circulation pump with cast iron housing.

General technical data.
Capacity up to 3.7 m³/h
Lifting height up to 7 m
Max. operating pressure 1.0 MPa
Supply voltage 1~230-240 V,
Current frequency 50 Hz
Protection class IP44
Insulation class H

2. Bimetallic thermometer on supply.
3. Three-way mixing valve 20 - 45°C, enables smooth temperature control.
- $K_v = 3,4 \text{ m}^3/\text{h}$
Connection 1"
4. Connection with adjustable spacing connection 1"
5. Return 1"



Type	Width [W] mm	Height [H] mm	Depth [D] mm	Connection [C] mm	Indeks
Rt MM24	210	280	92	190 - 220	1041126401

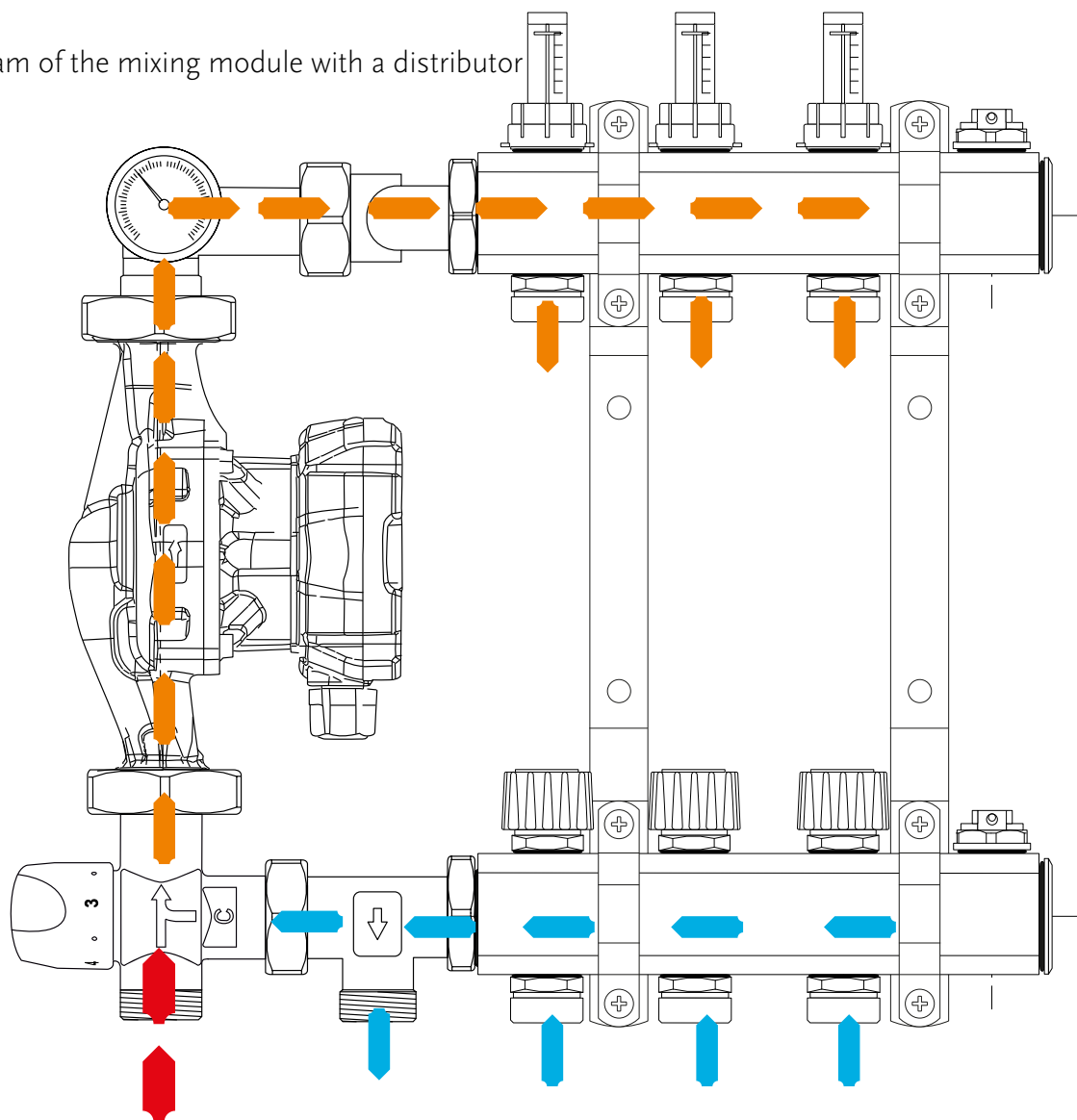
- Wysoka temperatura

- Czynniki po zmieszaniu

- Powrót do kotła z układu podłogowego

Rt MM24 |

Operation diagram of the mixing module with a distributor



... w ciepłej atmosferze

GORGIEL GROUP Sp. zo.o. Sp.k.

Karpicko, 64-200 Wolsztyn
ul. Poznańska 10tel. +48 68 347 54 00
fax + 48 68 347 54 50
gorgiel@gorgiel.com.pl

08-2024