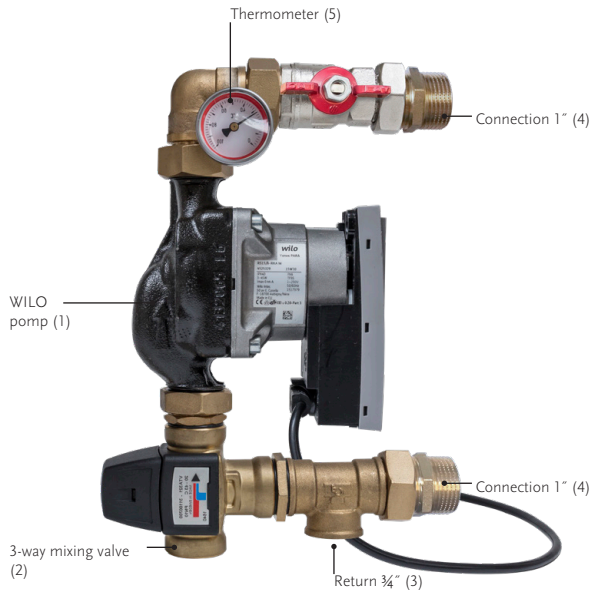


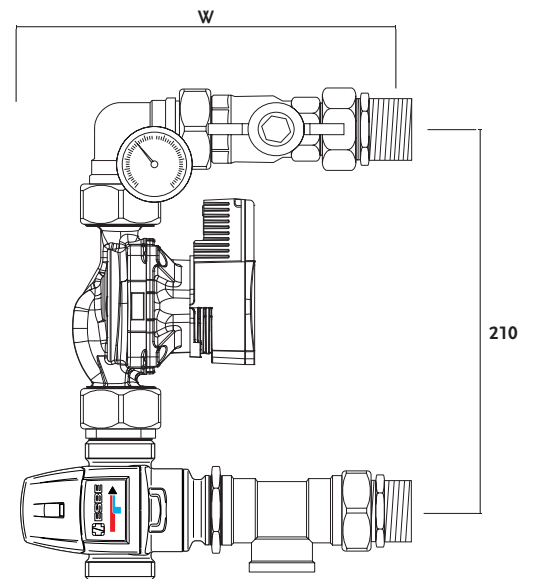
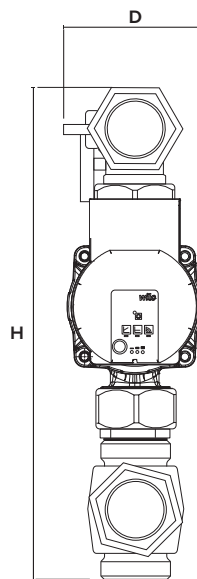
Rt MM |

Brass mixing module for underfloor heating manifolds.



Material:	Brass
Construction:	Profile C
Working temperature:	Up to 90°C
Working pressure:	Up to 0,6 MPa
Warranty:	10 years for beam tightness 2 years fittings and O-rings
Purpose:	Floor heating manifolds

1. Circulation pump with cast iron housing. Engine with automatic performance regulation and auto-protection function. It has a LED user interface.
Power connection: 1 ~ 230 V, 50/60 Hz
Power consumption: 3 - 45 W
2. 3-way mixing valve 20 - 43°C
- $K_v = 1,6 \text{ m}^3/\text{h}$
Connection $\frac{3}{4}$ "
3. Return $\frac{3}{4}$ "
4. Connection 1"
5. Thermometer



Type	Width [W] mm	Height [H] mm	Depth [D] mm	Indeks
Rt MM	300	245	105	1041126050

Rt MM |
Module + manifold R-PT flow diagram

- High temperature, supply from boiler
- Mixed heating fluid
- Return to boiler

